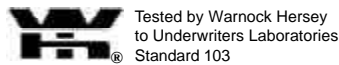




INSTALLATION AND MAINTENANCE INSTRUCTIONS FOR DOUBLE WALL BLACK PIPE

Warnock Hersey



GENERAL:

Double Wall Black Pipe (DWB) has been designed as the connector between the stove and a listed chimney system, such as Metal-Fab's Model TG insulated All-Fuel Chimney System. The DWB has an advantage over single wall black stove pipe because of reduced clearance to combustible materials, of six (6) inches. The DWB incorporates a stainless steel flue for longer service life, greater safety and hotter flue temperatures to improve draft. All joints are secured with sheet metal screws.

SAFETY:

Double Wall Black Pipe (DWB) has been tested by Warnock Hersey to Underwriters Laboratories Standard 103. This test standard is conducted at 1000°F continuous and 1700°F intermittent. The DWB is listed for six (6) inches clearance to combustible material. NEVER enclose this connector pipe or use it as a chimney to install through ceilings or walls or in inaccessible or enclosed areas. Connect Metal-Fab Double Wall pipe ONLY to correctly installed UL listed factory-built chimney. Also, be sure to install the appliance at the correct clearances, as directed by the appliance manufacturer. Double Wall Black pipe must be installed to meet all local codes, paying particular attention to the minimum clearance allowed to combustibles of six (6) inches. If the corresponding stove clearance is less than six (6) inches, the stove may have to be moved out from a combustible wall so that the pipe will comply with the six (6) inch clearance requirement.

INSTALLATION:

1. Determine the stove outlet location relative to Chimney System Ceiling Support. Best results are obtained with a straight-up connector path.
2. If your installation is straight up and the telescoping lengths (DWBTL) can be used, insert the telescoping flue within the stove collar and the outer casing over the stove collar. Secure all joints with sheet metal screws.
3. Extend the upper portion of the DWBTL to engage the crimped portion of the chimney ceiling support. Secure with sheet metal screws (See **FIG. 1**).
4. If Double Wall Black pipe sections (DWB) are to be used, the Double Wall Black Adapter (DWBA) is required to be attached at the stove collar. It may be necessary to attach the adjustable length (DWB18A) section to the chimney ceiling support prior to installing the sections. Secure the DWB18A to the ceiling support with sheet metal screws. Slide one section of DWB into the DWB18A to allow the second section of DWB to be positioned over the DWBA. The first section can then be slid down to engage the second section. Secure all joints with sheet metal screws (See **FIG. 2**).
5. If your installation does not allow for straight up pipe sections, it may be necessary to use elbows (DWB45). The DWB45 is secured to the vertical section with sheet metal screws. The DWB section can now be installed between elbows. The second DWB45 can be attached to a vertical section that extends to the ceiling support and to the DWB section between elbows (See **FIG. 3**). It is recommended that only one DWB section, and if necessary one adjustable (DWB18A), be installed between elbows. The DWB45 can also be installed back to back.
6. If your stove has a rear outlet and you need to go upward, the Double Wall Black Tee (DWBT) can be used. A DWBA must be installed at the stove collar before attaching the DWBT. The DWBT then is installed onto the DWBA. If the listed chimney system is in a chase, and the DWB connector pipe must go horizontally, a Double Wall Black 90 degree elbow (DWB90) can be used. (See **FIG. 4**). Secure all joints with sheet metal screws.
7. Upon installing the stovepipe, it is understood that blemishes or scratches can result that will require a touch up application of black paint. We recommend Stove Bright® #1990 Satin Black which comes in a 12 oz. spray can. When properly applied, this product is very effective in blending to the base coat of paint in both texture and color. Please note, if the spray can nozzle is located too close to the target surface, undesirable results may occur such as; running, too thick of a coat which will not blend, bubbling, or droplets of paint.

MAINTENANCE:

The DWB connector system and the listed chimney system should be inspected periodically during the heating season for creosote formation. Creosote is formed on the flue when burning at low firing rate. The tars and moisture can condense on the flue. If buildup is present, it should be cleaned to prevent the possibility of a chimney fire. The DWB connector should be inspected at the start of the burning season for any damage. Replace any damaged parts. The flat black paint may be touched-up, as required, with STOVE BRIGHT® Product No. 1990.

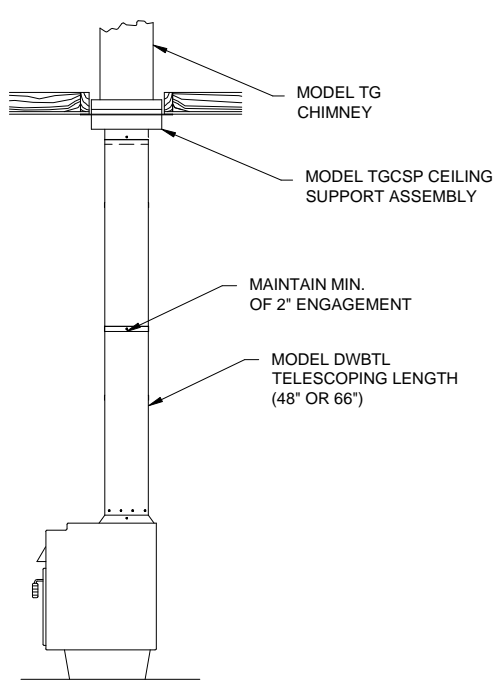


FIG. 1

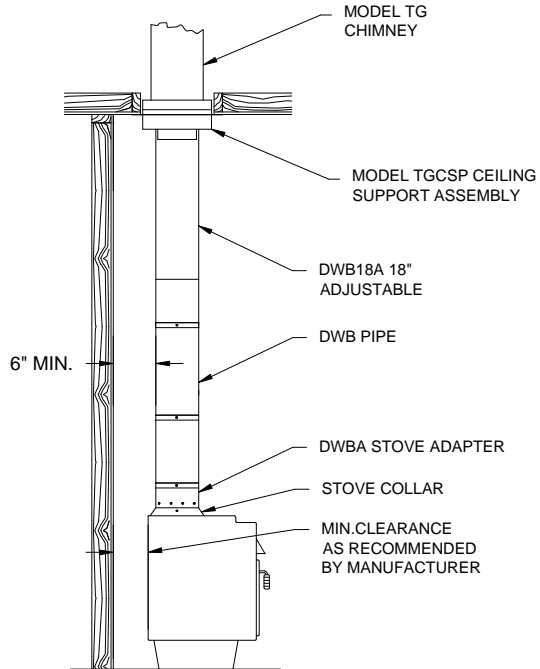


FIG. 2

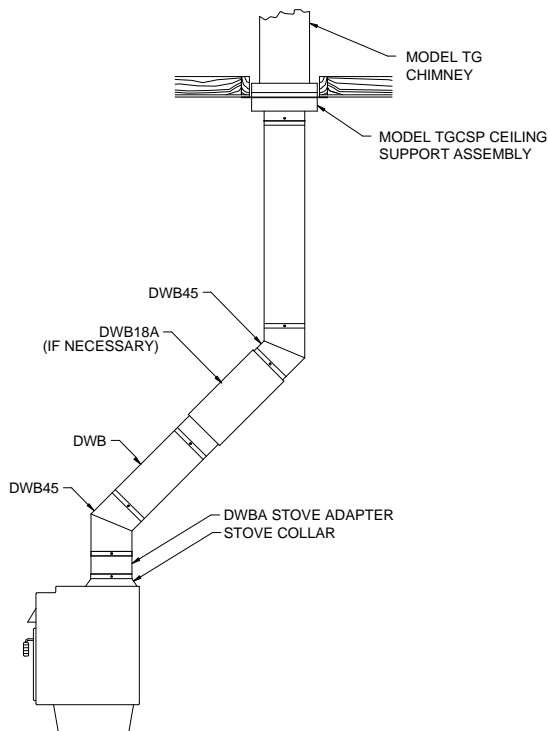


FIG. 3

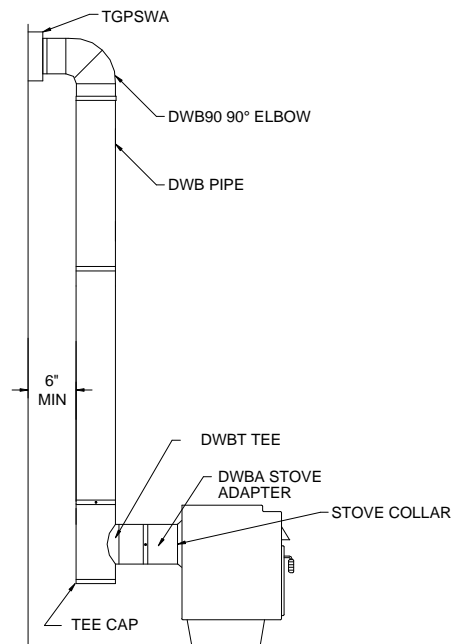
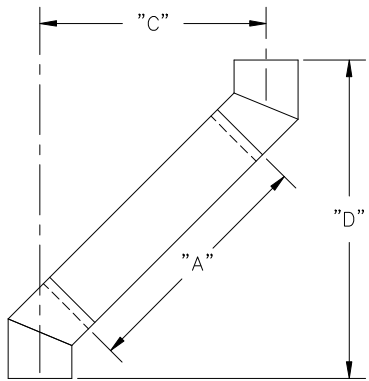


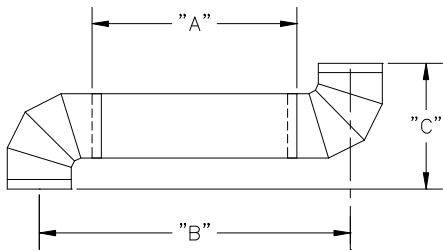
FIG. 4

45° ELBOW VERTICAL TO HORIZONTAL TO VERTICAL



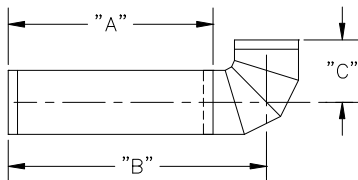
"A"	ASSEMBLED PIPE LENGTHS	PIPE DIA.			
		6" DIA.		8" DIA.	
		"C"	"D"	"C"	"D"
0	NO PIPE	5 3/4	15 3/8	5 3/4	14 1/2
12	12"	14 1/4	23 7/8	14 1/8	23
24	24"	22 3/4	32 3/8	22 5/8	31 1/2
36	12" & 24"	31 1/4	40 7/8	31 1/8	40
48	(2) 24"	39 3/4	49 3/8	39 5/8	48 1/2
60	48" & 12"	48 1/4	57 7/8	48 1/8	57
72	48" & 24"	56 3/4	66 3/8	56 5/8	65 3/8
84	48" 24" & 12"	65 1/8	74 3/4	65	73 7/8
96	(2) 48"	73 1/4	83 1/4	73 5/8	82 3/8
108	(2) 48" & 12"	82 1/8	91 3/4	82	90 7/8
120	(2) 48" & 24"	90 5/8	100 1/4	90 1/2	99 3/8

90° ELBOW VERTICAL TO HORIZONTAL TO VERTICAL



"A"	ASSEMBLED PIPE LENGTHS	PIPE DIA.			
		6" DIA.		8" DIA.	
		"B"	"C"	"B"	"C"
0	NO PIPE	17 3/4	18 1/2	16 3/8	17 1/2
12	12"	29 3/4	18 1/2	28 3/8	17 1/2
24	24"	41 3/4	18 1/2	40 3/8	17 1/2
36	12" & 24"	53 3/4	18 1/2	52 3/8	17 1/2
48	(2) 24"	65 3/4	18 1/2	64 3/8	17 1/2
60	48" & 12"	77 3/4	18 1/2	76 3/8	17 1/2
72	48" & 24"	89 3/4	18 1/2	88 3/8	17 1/2
84	48" 24" & 12"	101 3/4	18 1/2	100 3/8	17 1/2
96	(2) 48"	113 3/4	18 1/2	112 3/8	17 1/2
108	(2) 48" & 12"	125 3/4	18 1/2	124 3/8	17 1/2
120	(2) 48" & 24"	137 3/4	18 1/2	136 3/8	17 1/2

90° ELBOW TO HORIZONTAL TO VERTICAL



"A"	ASSEMBLED PIPE LENGTHS	PIPE DIA.	
		6"-8" DIA.	
		"B"	"C"
0	NO PIPE	9 1/2	9
12	12"	21 1/2	9
24	24"	33 1/2	9
36	12" & 12"	45 1/2	9
48	(2) 24"	57 1/2	9
60	48" & 12"	69 1/2	9
72	48" & 24"	81 1/2	9
84	48" 24" & 12"	93 1/2	9
96	(2) 48"	105 1/2	9
108	(2) 48" & 12"	117 1/2	9
120	(2) 48" & 24"	129 1/2	9



P.O. Box 1138 • WICHITA, KS 67201

(316) 943-2351 • 1-800-835-2830

FAX (316) 943-2717